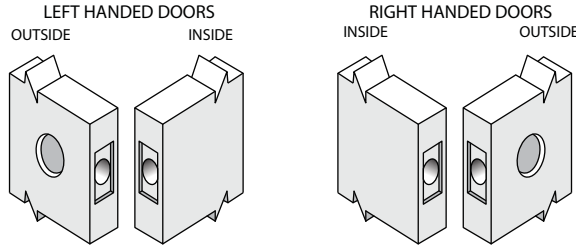
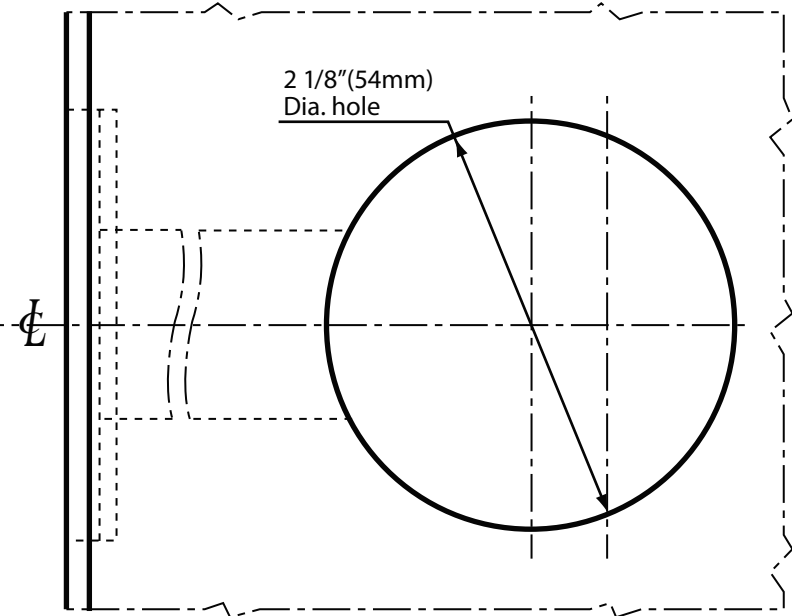
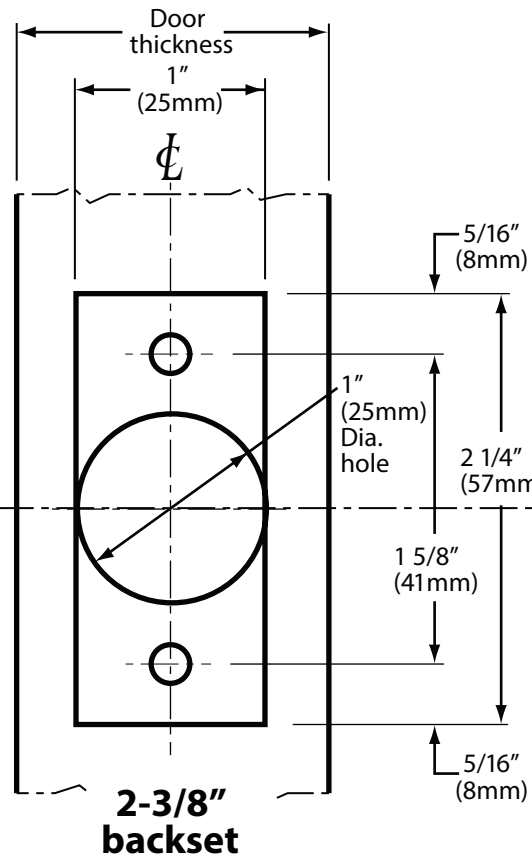
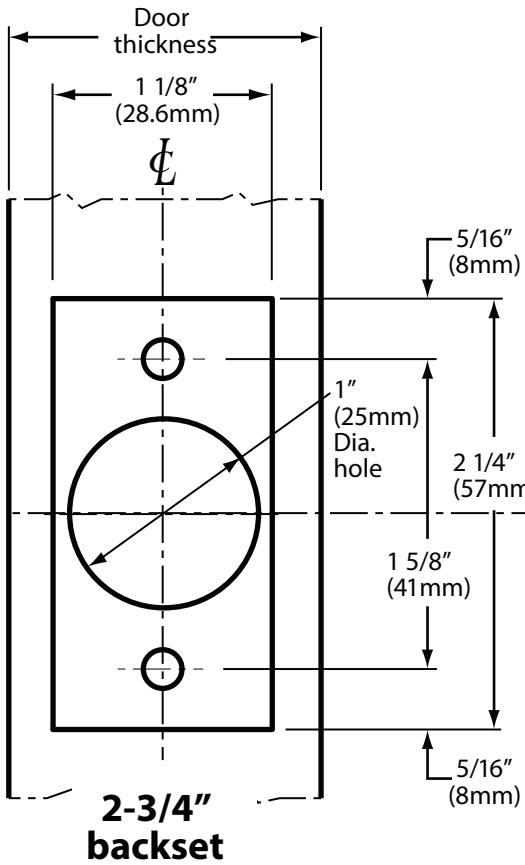
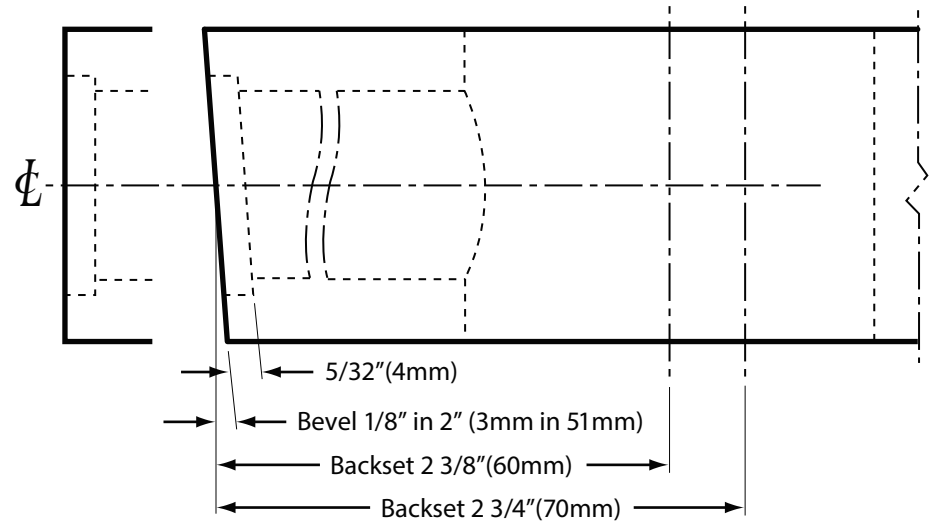


Standard Packaging:
 2-3/4" backset ;
 1-1/8" x 2-1/4" faceplate

Optional
 2-3/8" backset;
 1" x 2-1/4" faceplate



Drill 2-1/8" hole halfway only. Illustration shows outside preparation.
 Reverse holes for inside preparation.



6605 Flotilla St.
 City of Commerce
 CA 90040 USA
 Tel: (323) 888-6601
 FAX: (323) 888-6699
 Website: cal-royal.com
 Email: sales@cal-royal.com

ITEM NO.	DESCRIPTION	ANSI	SCALE	UNIT	VERSION
ID900	ONE SIDED DEADBOLT	A156.5 Grade 1	1 : 1	inches (mm)	ver. 2.0 rev. 11/14
			PAGE 1 OF 1		BY: bteves/adg